



# LUXORA™

SHOWER WALL PANELS & SURROUNDS

INSTALLATION GUIDE



# LUXORA™

SHOWER WALL PANELS & SURROUNDS

## INSTALLATION GUIDE

### AFFORDABLE SHOWER WALL PANELS & SURROUNDS

Luxora™ panels are lightweight, easy to carry, cut and fabricate.



Water and moisture proof.  
(not designed for continued immersion)



Fire-Resistant



Lightweight



Resistant to acid and alkaline corrosion as well as mold, mildew, bacteria and odors

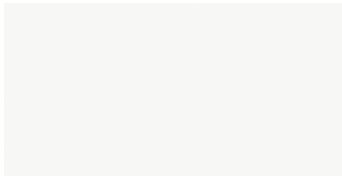


Non-Porous  
(no sealers)



Designed for indoor applications only  
(avoid direct sunlight or high-temperature exposures)

### OFFERED IN GLOSSY AND MATTE FINISHES



SERENITY LX18



OPULENCE LX56



HARMONIA LX55

### RECOMMENDED TOOLS

- Working table (approx. 4' x 8')
- Angle grinder or skill saw with vinyl cutting blade
- Drill, bits, and Dremel® Power Tools to perform fixture holes
- Suction cups
- Level
- Square
- Measuring tape
- Pencil
- Clamps
- 100% silicone for seams
- Recommended Adhesive (Loctite PowerGrab Ultimate, Boss 125 Multi-seal, Dap AMP or 3M 551)
- Caulking gun
- Razor blade
- Rubber mallet



MEASURING TAPE



CUTTER



LEVELING TOOLS



RUBBER Mallet



SUCTION CUP  
(OPTIONAL)



HOLE SAW



CAULKING GUN



DRILL & CUTTING TOOLS  
(IF NEEDED)

### PROTECTIVE EQUIPMENT



SAFETY GOGGLES



PROTECTIVE GLOVES



WORKING DUST MASK



PROTECTIVE FOOTWEAR

For additional questions please contact your Daltile representative.

©2024 Dal-Tile, LLC (7/24)

daltile®

## STORAGE

Luxora Vinyl panels should be stored flat in a climate controlled, moderate temperature condition.

## BEFORE YOU BEGIN

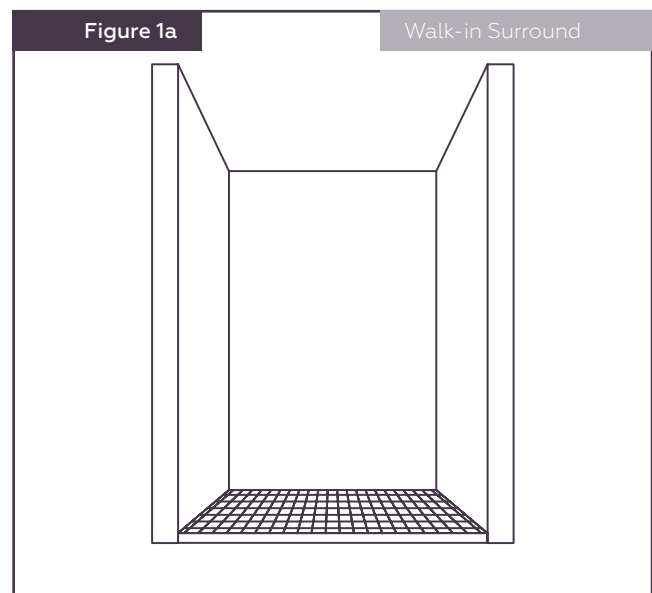
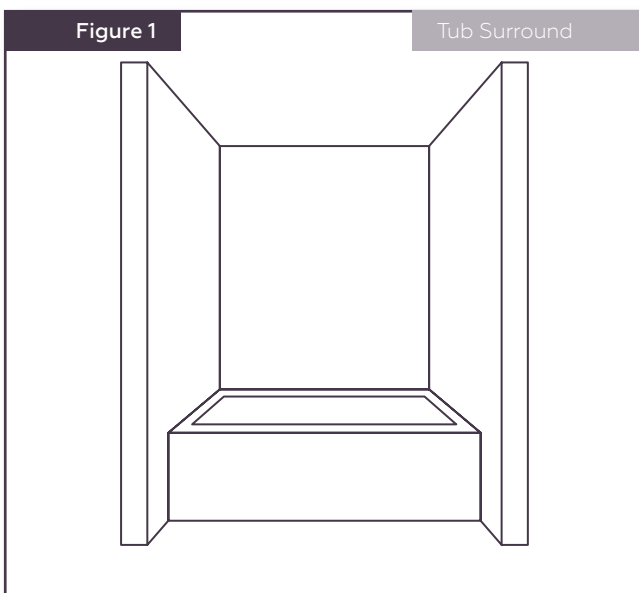
- To ensure this product is installed properly, read the instructions carefully before you begin your installation.
- Review local codes or project requirements and make sure your installation conforms to them.
- Local building codes vary by location as well as plumbing codes.
- Inspect Luxora panels and make sure there are no imperfections and panels are in good condition. Any claim for damaged material after being fabricated will void the warranty.

## HOW TO INSTALL A SHOWER OR TUB SURROUND

Luxora can be installed over most surfaces, such as tile, sheet rock, etc. If you are doing a new installation or a complete tear out, we recommend installing Hardie-backer, green-board drywall or other similar water-resistant barrier base material. Luxora panels are not designed to be installed directly into studs.

If you are installing Luxora panels over an existing surface you must make sure the actual surface is in good condition, structurally sound, and properly secured to the wall. When installing over existing tile, we suggest you do a light sanding/scuffing of the tile, followed by wiping down with a fast-flashing solvent such as isopropyl alcohol or acetone. Applying a primer over existing surface is also recommended before installation.

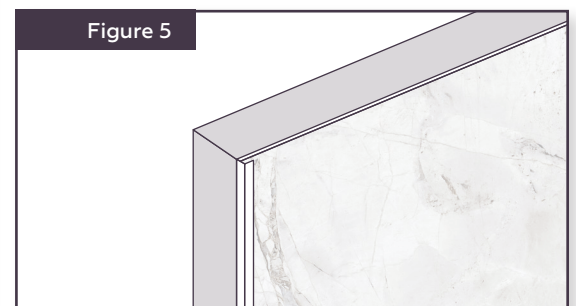
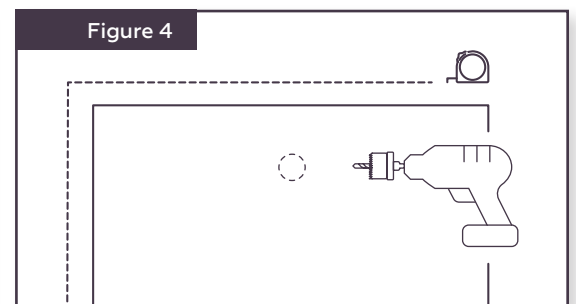
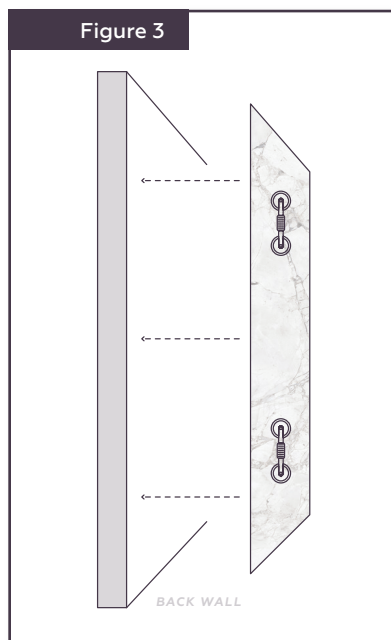
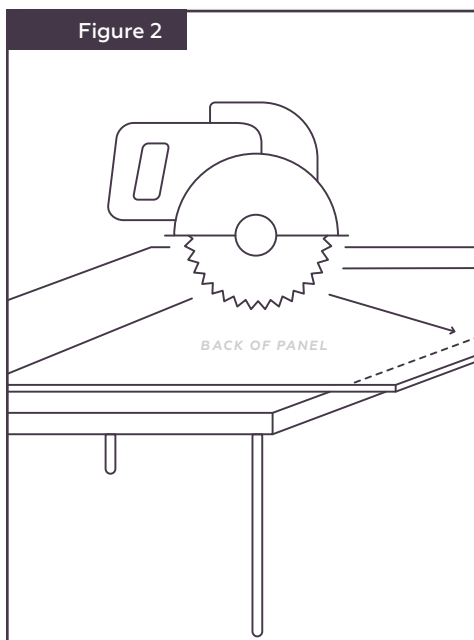
- Shut off the main water supply. Remove all fittings (shower head, valves, etc.)
- The wall surface must be level, dry, smooth, and free of dust, mold, or any other contaminants.
- If you plan to install a shower door, follow manufacturer's instructions and prepare stud wall accordingly.
- Luxora panels are a non-porous material and do not require waterproofing behind them, nevertheless, we recommend you waterproof the corners and bottoms of the tub/shower. We recommend a minimum waterproofing area of 6" in each direction on the corners and 6" at the bottom of each panel. We highly recommend reviewing and following waterproofing regulations as per individual project or city codes. (Figure 1 & 1a)



## PANEL CUTTING AND INSTALLATION

Once your walls are leveled and cleaned from any imperfections, you are ready to start measuring, cutting, and installing the Luxora panels.

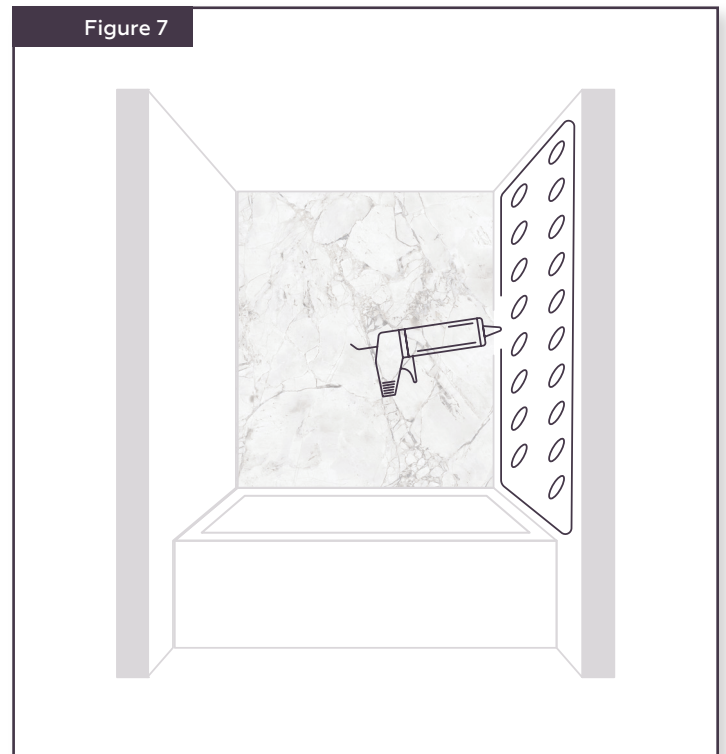
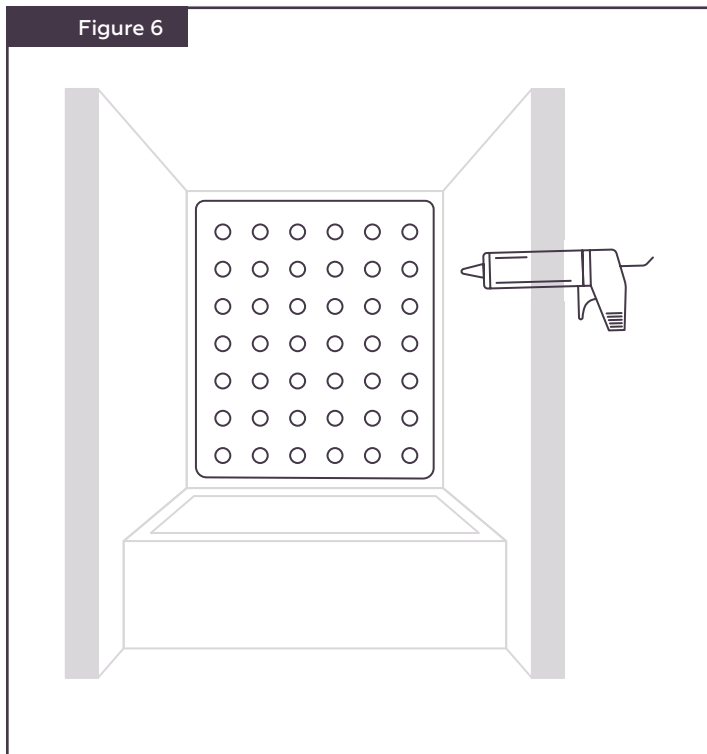
- Get your working table ready and make sure you have all of the proper tools and equipment as described in this guide.
- Luxora panels come with a plastic film which will lightly protect the panels from working dust and other debris. Do not place heavy machinery or objects on top of Luxora panels, and do not remove the protective film until the end as described in further steps.
- On both tub surrounds or showers with three walls, we will start measuring the back wall first. On installations with only two walls, you could start with either the left or right wall.
  - o Measure the back wall (measure twice, cut once).
  - o Account for inside corners and edge trims, if being utilized.
  - o Set up the Luxora panel on the cutting table and mark your cutting lines on the back side of the material. (Figure 2)
  - o Luxora panels do not have any pre-established top or bottom side so you can choose which side of the panel will go up or down.
  - o Using your angle grinder or skill saw, perform cuts as needed on the back side. (Figure 2)
  - o If there is any debris on the cutting edge, you can carefully remove it with a razor blade.
  - o Test fit the back panel on the back wall of the tub/shower. (Figure 3)
  - o With the back panel in position (not glued yet), take measurements for the left and right panels.
  - o Draw your cutting lines on both panels and perform cuts using your angle grinder or skill saw.
  - o Identify which panel will be installed on the wall with the shower fixtures. Measure/template this wall and perform cuts as needed on your Luxora panel using a drill equipped with a vinyl cutting bit. (Figure 4)
  - o Test fit all panels (back wall first) and make sure every panel is in position and perfectly fits your project. Small adjustments or cuts might be needed if the substrate is not leveled.
  - o Reminder, if you are using trim profiles, go ahead and test, measure, and cut them at this point. (Figure 5)



## INSTALLING/ADHERING PANELS TO WALLS

Once you have test fitted your Luxora panels as well as fixture cuts, ensuring everything is aligned, it's time to adhere the Luxora panels to the wall. On installations with three walls, the back panels should be applied first.

- Clean the walls of any existing dirt or debris which could have accumulated from the construction environment.
- On the wall, using the recommended adhesives and a caulk gun, apply a continuous line of adhesive around the entire perimeter of the back wall (about 1" from all 4 sides where the panel will be placed).
- Right after, place multiple circle blobs of caulking 4" in diameter, about 6-8" apart, throughout the sheet. (Figure 6)
- In case you are using a trim profile on the top of the back panel, separate plastic film about 2" from the top side of the Luxora panel and proceed to cut and install trim profiles using 100% silicone.
- Take the back panel and place it in position against the back wall. Make sure you apply pressure throughout the entire panel, starting in the center, going up and down as well as left and right to make sure the entire panel is adhered to the adhesive circles, as well as the continuous perimeter of adhesive. Repeat this action a few times until you are sure the panel is completely adhered and in position. It's not required but it is recommended to clamp or brace the panel for extra support until the adhesive has properly cured.
- Repeat the same process for both left and right panels. (Figure 7)
- Remember to pre-install trims on the edge sides of the panels if you are using trim profiles.
- Remove plastic film from all panels at this stage.



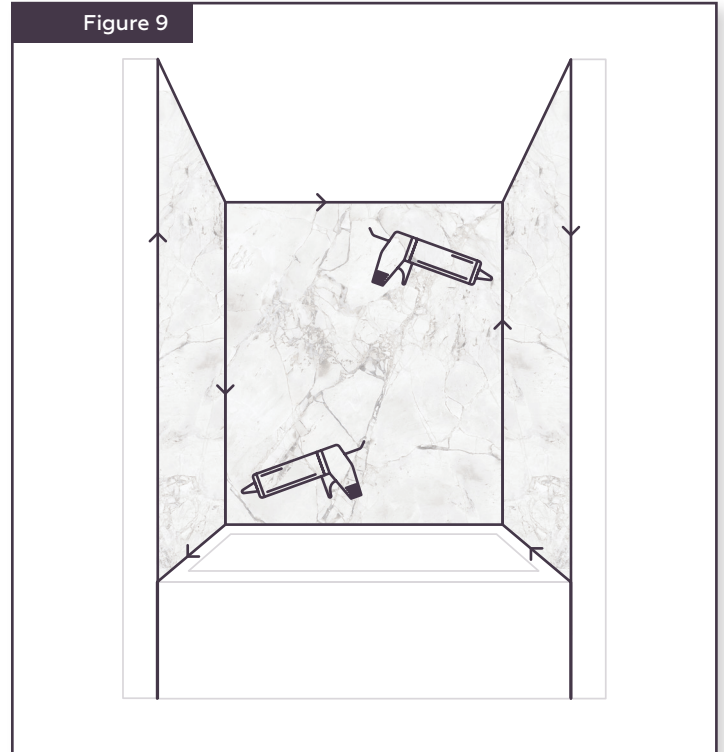
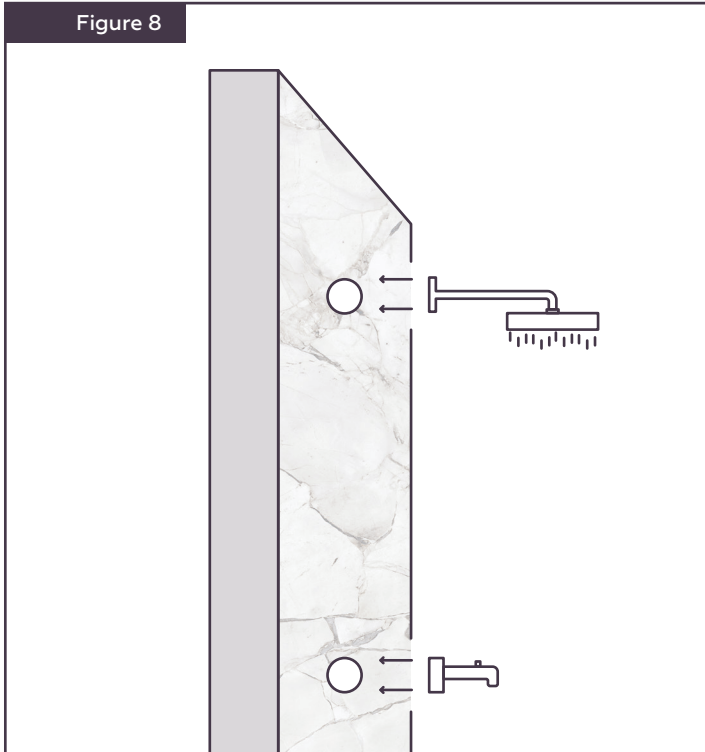
## INSTALL FIXTURES AND SEAL

Finally, install all fixtures and appliances to shower and tub. (Figure 8)

- Install accessories per the manufacturer's instructions.
- Using 100% silicone caulk, seal around your fixtures as well as the top, bottom, corners, and sides of your tub surround.
- Use a caulk gun to ensure continuous coverage, with no gaps in seal. (Figure 9)





## ALLOW TIME TO DRY

Your new shower surround will need time to dry. Please allow at least 24 to 48 hours before using your new Luxora shower. This allows time for the adhesive and sealants to dry completely.

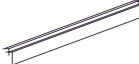





# DIMENSIONS

## SIZES

Nominal Size	Thickness	Finishes	Sq. Ft./Pc.	Avg. Lbs./Pc.
 61" x 96" Panel	4.5 mm	Glossy & Matte	40.67	64.00
 48" x 96" Panel	4.5 mm	Glossy & Matte	32.00	40.67
 61" x 63" Panel	4.5 mm	Glossy & Matte	26.69	53.38
 32" x 63" Panel	4.5 mm	Glossy & Matte	14.00	28.00

## ACCESSORIES

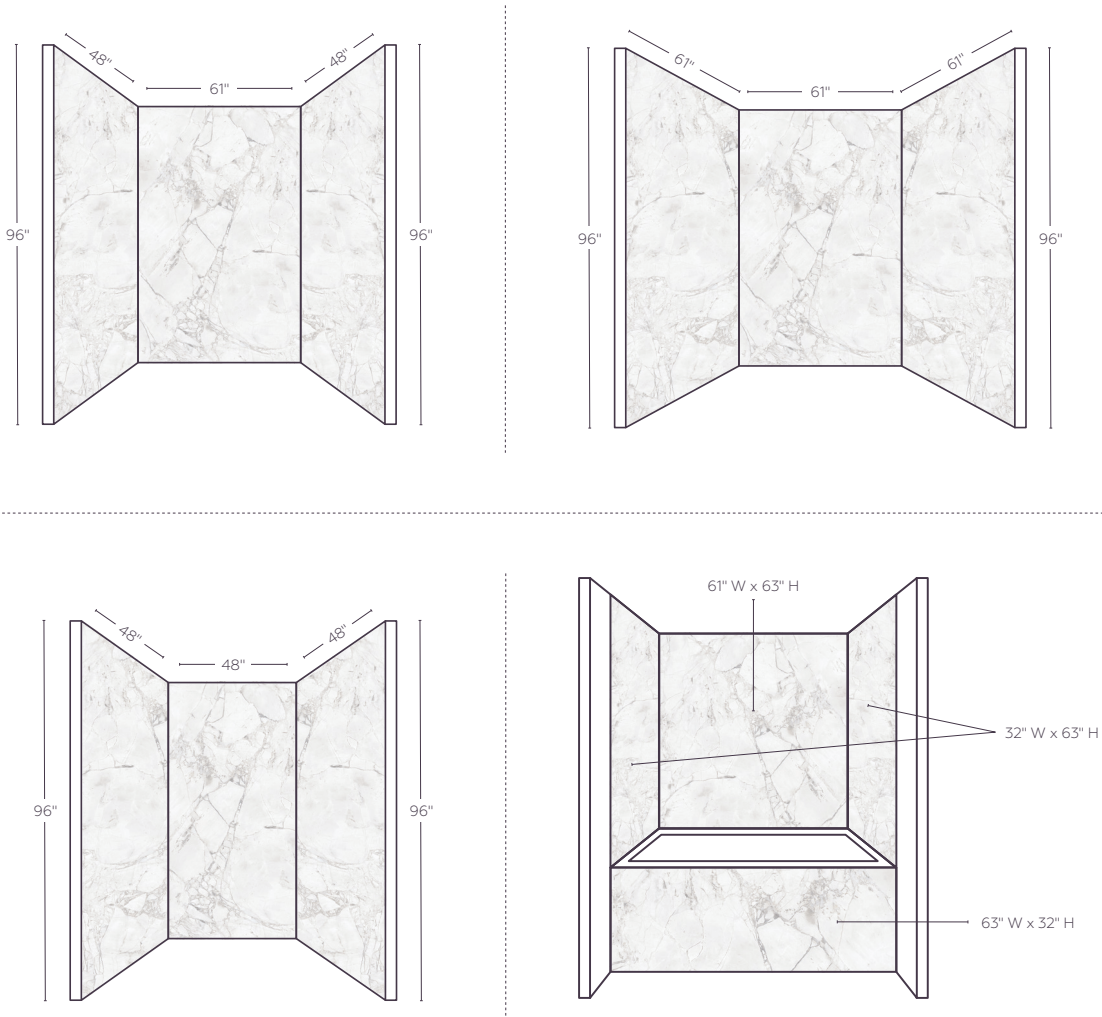
Type	Number	Length
 White Inside Corner	LX0196CMT	96 in.
 Chrome Inside Corner	LX0296CBR	96 in.
 White Outside Edge	LX0196EMT	96 in.
 Chrome Outside Edge	LX0296EBR	96 in.

**Corner trim:** Applicable at the joint of two Luxora panels.

**Edge trim:** Applicable on single edge of a Luxora panel. Recommended on exposed edges.

## POSSIBLE CONFIGURATIONS

There are numerous combinations to explore with Luxora Shower & Tub Surrounds. Here are a few examples showcasing different solutions for various spaces.



Read Safety Data Sheet instructions for additional safety information.

For additional questions please contact your Daltile representative.

©2024 Dal-Tile, LLC (7/24)

LUXORA™  
SHOWER WALL PANELS & SURROUNDS

daltile®